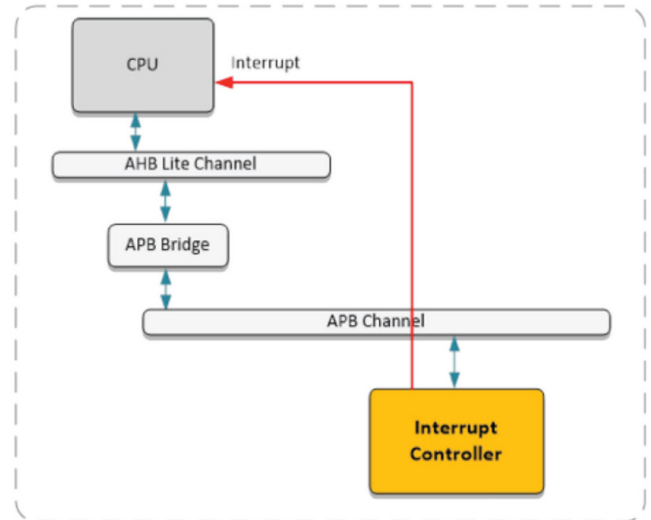


# APB Interrupt Controller

The interrupt controller monitors interrupts from all other modules within the system and issues interrupt requests to the processor when necessary. The interrupt controller is scalable to support from 1 to 32 interrupt sources. It also provides separate one-hot enable set and enable clear mechanisms to prevent dangerous read-modify-write operations. It provides active high & active low IRQ & FIQ interrupt request outputs.

## Features

- AMBA® APB Compatible
- Up to 32 independent interrupt sources
- FIQ and IRQ outputs
- Single bit enable and clear control



## Deliverables

- Verilog Source
- Complete Test Environment
- APB Bus Functional Model

For more information, please contact us at [ip@silvaco.com](mailto:ip@silvaco.com).