



```
mirror_mod.use = False
mirror_mod.use = False
elif operation == "MIRROR":
    mirror_mod.use = False
    mirror_mod.use = True
    mirror_mod.use = False
elif operation == "MIRROR_Z":
    mirror_mod.use = False
    mirror_mod.use = False
    mirror_mod.use = True
    mirror_mod.use = False
    mirror_mod.use = True
    mirror_mod.use = False
#select mirror mod use and deactivate deselected mirror mod use
mirror_ob.select()
modifier_ob.select()
bpy.context.scene.objects.active = modifier_ob
print("Selected modifier ob:", modifier_ob.name)
modifier_ob.select()
bpy.context.scene.objects.active = mirror_ob
print("Selected mirror ob:", mirror_ob.name)
#please select exactly two objects, the last one gets the
```

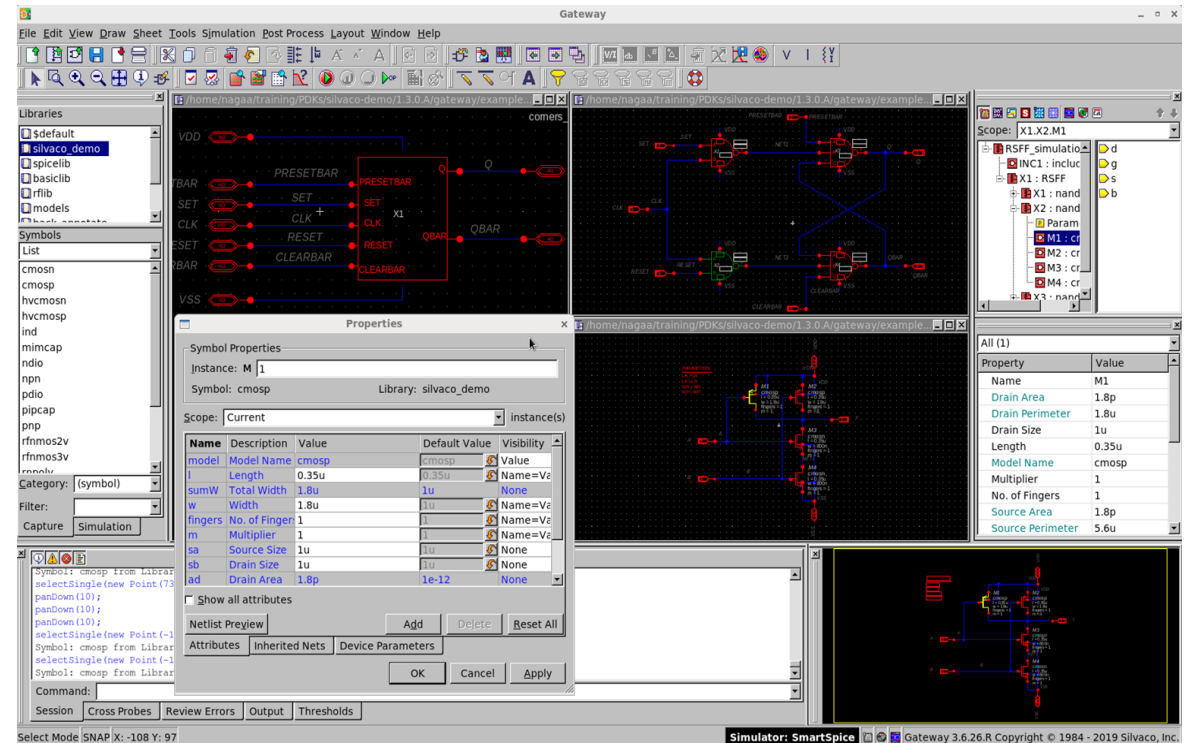
SILVACO

Gateway

Schematic Capture

Gateway Schematic Capture Overview

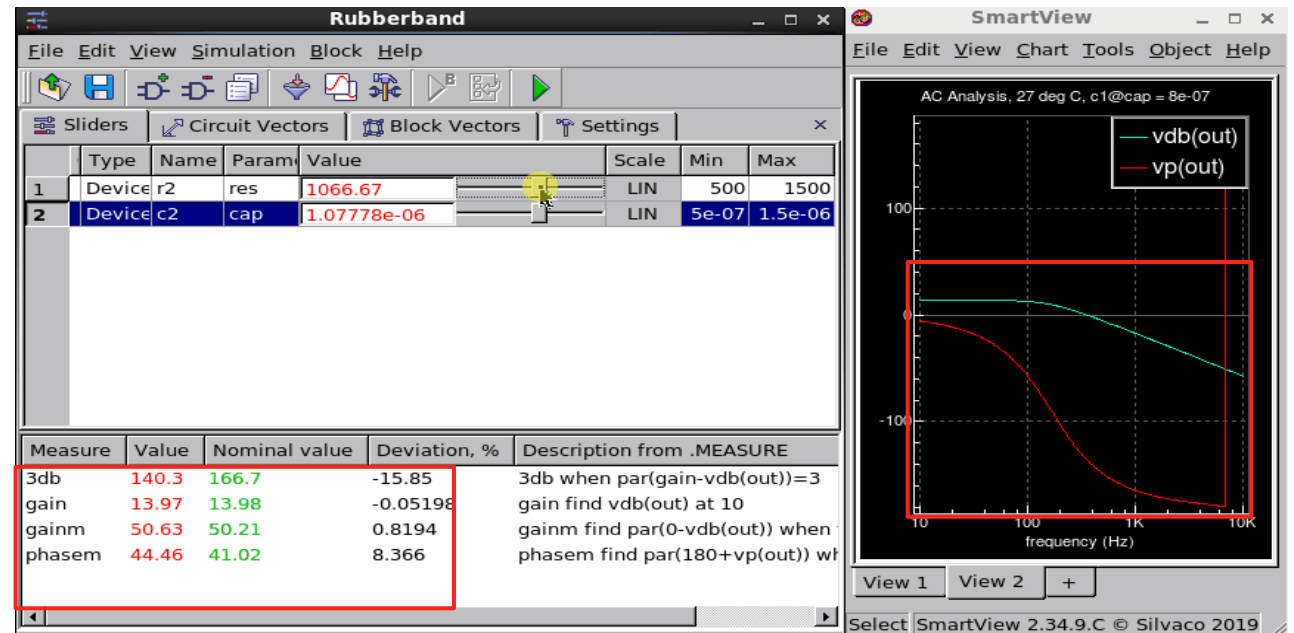
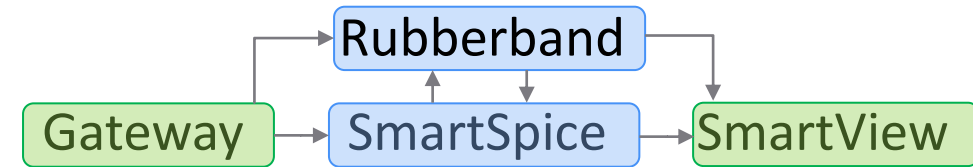
- Powerful, feature rich schematic editor
 - Flexible Window Layout
 - Features:
 - Hierarchical, multi-sheet
 - Symbol generator
 - Schematic/Electrical Rule Checks
 - Vector connectivity
 - Parameter Expressions
 - Inherited Connections
 - Ease of Use:
 - Snap to point wiring
 - Easy navigation via Design Browser
 - Short cut key bindings and toolbars
 - Integrated with SmartSpice and SmartView
- Scripting capability allows the user to:
 - Customize Menu, GUI, callbacks
 - Execute scripted edits



Gateway

Real-time Rubberband Analysis

- Industry first solution
 - Works from within Gateway
- Increase Design Productivity
 - Design exploration
 - Design debug
 - Save and reuse setup
- Vary any model or instance parameters
- Monitor measurements and waveforms

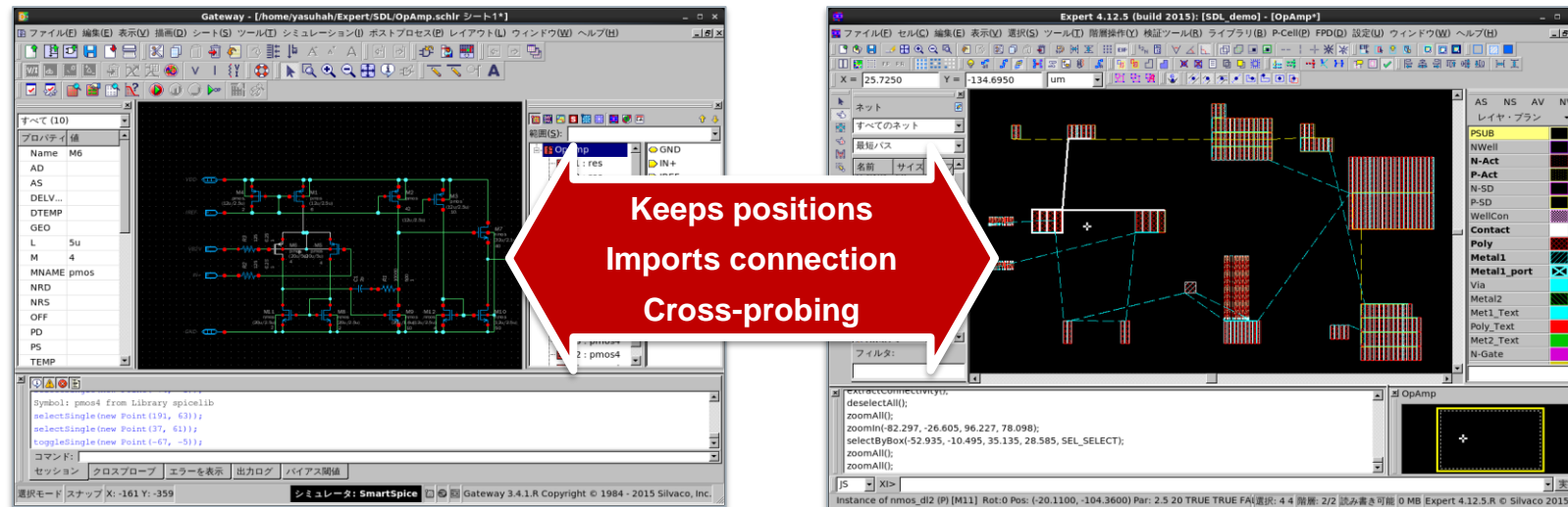


Gateway

Expert Integration

Schematic Driven Layout

- Imports schematic design information from Gateway, and creates an initial layout
- Keeps relative positions between each devices corresponding to symbols in Gateway
- Cross-probing with Gateway
- Can load SPICE / CDL netlist for Netlist Driven Layout

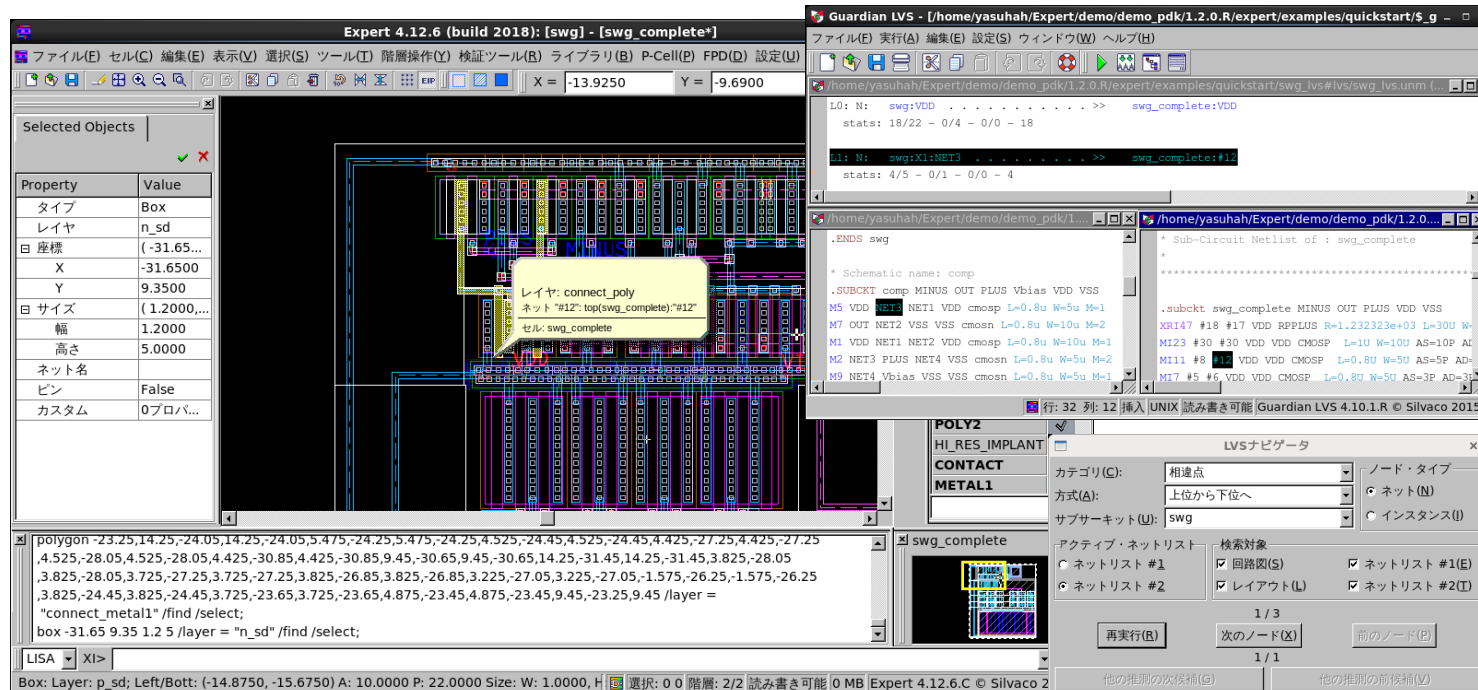


Gateway

Expert Integration

Cross-probing between Expert and Gateway

- LVS navigators provide comparison information
- Provides cross-probing between Expert, Gateway and SmartDRC/LVS



Gateway

Advanced Editing Features

- Gateway provides many advanced editing features

- Wiring

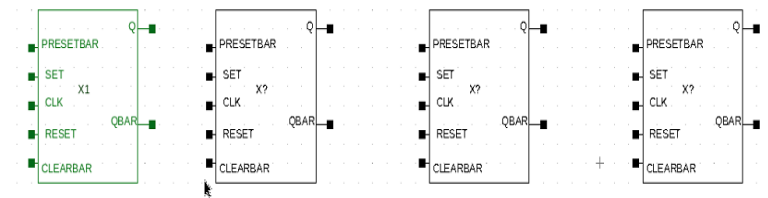
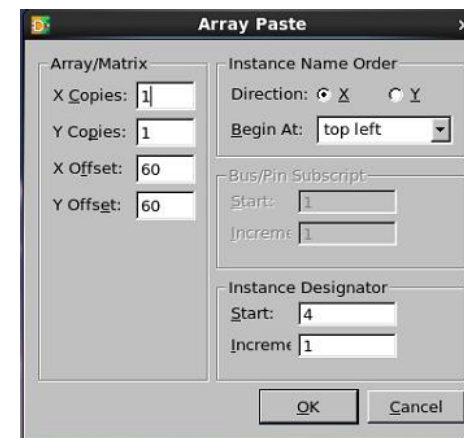
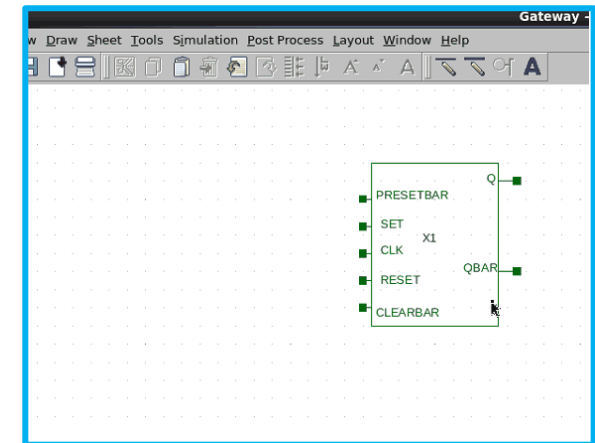
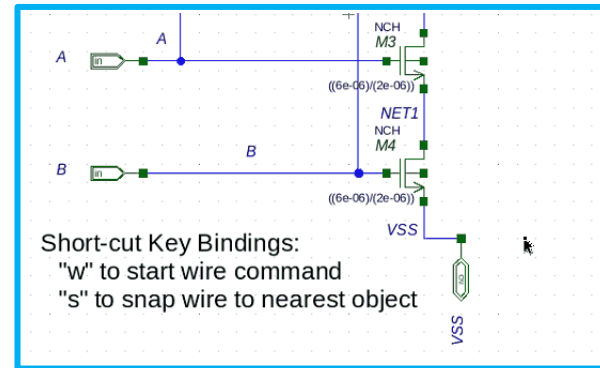
- Automatic wire completion
- Snap to nearest pin

- Wire Stubs

- Array Placement

- Robust drawing checks

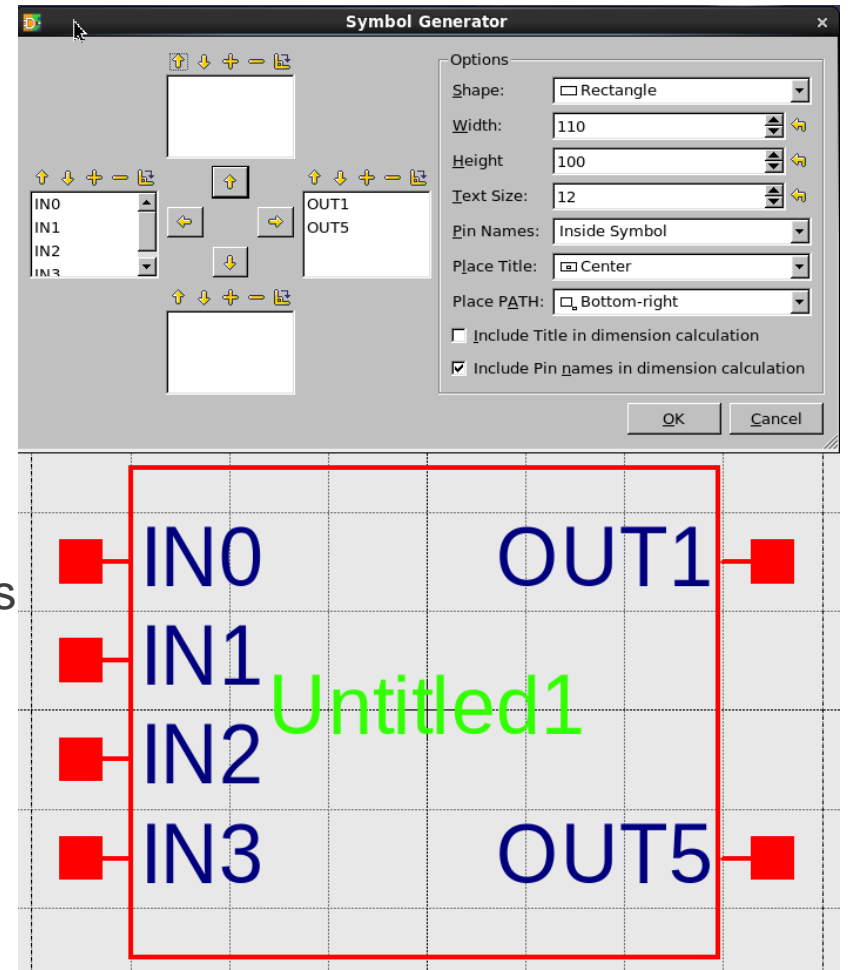
- Floating or disconnected pins
- Multi-level hierarchical checking
- Etc.



Gateway

Symbol Generation

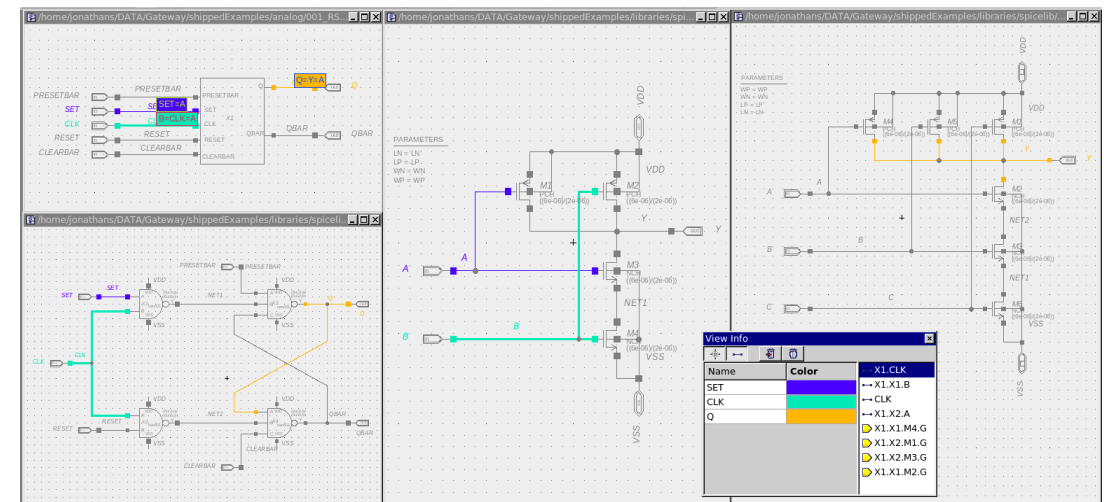
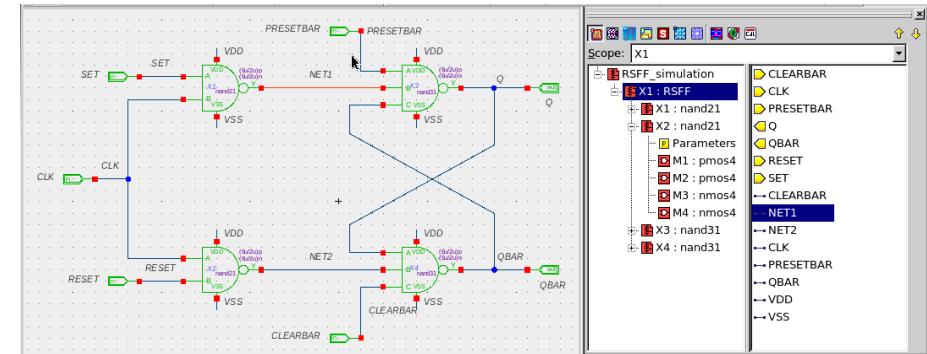
- Powerful Symbol Generator
 - 14 Pre-defined shapes including standard digital shapes
 - Pins added manually or pre-seeded from source view (e.g., generate a symbol from your schematic)
 - Ability to graphically move and order pins
 - Symbol size auto adjusts to minimum required size based on pins and symbol text



Gateway

Schematic Navigation and Debugging

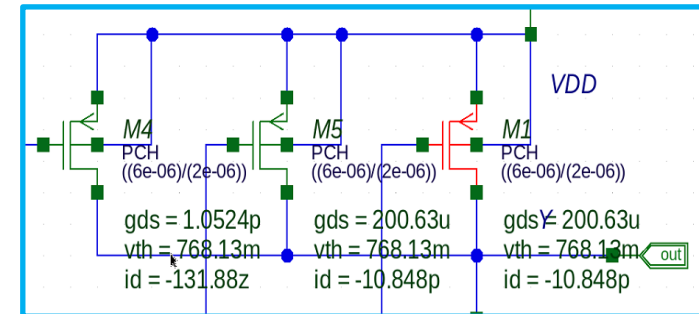
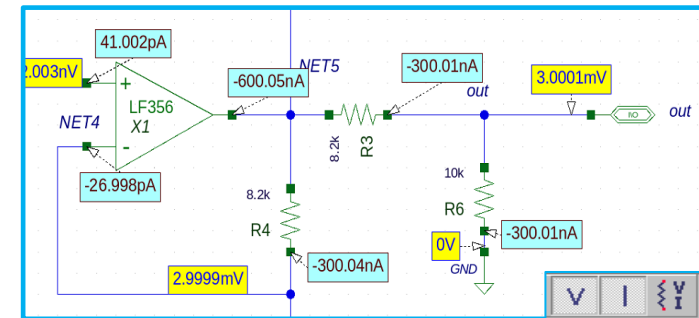
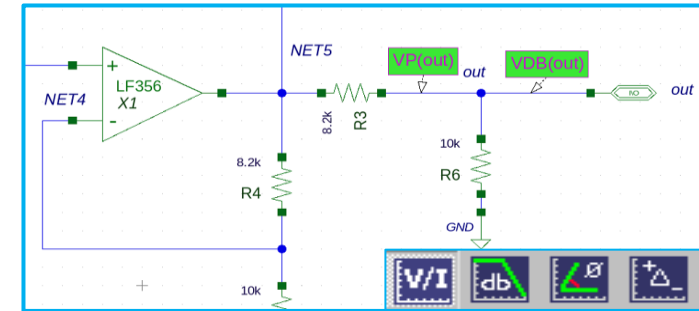
- Gateway provides multiple features to navigate and debug your designs
 - Quick Shortcut Keys and Menus
 - (D)escend
 - (A)scend
 - Powerful Design Browser
 - Navigate by selecting w/double click
 - Cross probe Instances/Nets/Pins
 - Trace signals through hierarchy
 - Color code nets
 - Gray out unselected objects



Gateway

Simulation Annotation

- Pre-define Nets and Currents to Plot
 - Options to set Voltage and Currents, db20, Phase, or Vdiff
- Back-annotation of Operating Point Data
 - Annotate to schematic or view in Property Editor
- Back-annotation Device Attributes
 - Vth, gm, etc.



Gateway

Summary

- Powerful, feature rich schematic editor
 - Flexible Window Layout
 - Features:
 - Hierarchical, multi-sheet
 - Symbol generator
 - Schematic/Electrical Rule Checks
 - Vector connectivity
 - Parameter Expressions
 - Inherited Connections
 - Ease of Use:
 - Snap to point wiring
 - Easy navigation via Design Browser
 - Short cut key bindings and toolbars
 - Integrated with SmartSpice and SmartView
- Scripting capability allows the user to:
 - Customize Menu, GUI, callbacks
 - Execute scripted edits